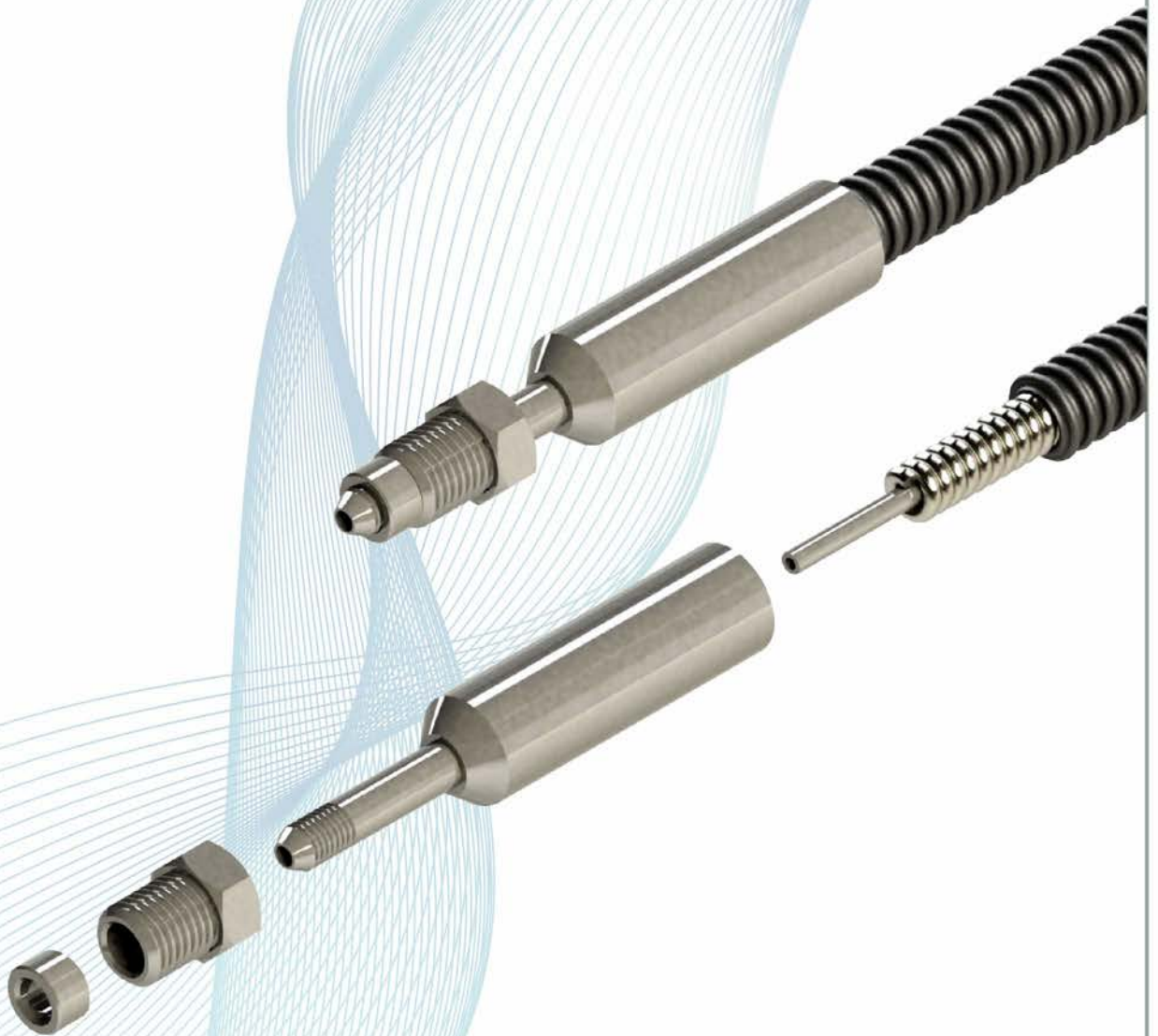




LOGOS

High Pressure Flexible Stainless Hoses



Product Order Guide

High Pressure Flexible Stainless Gas Hoses are designed to operate at pressures up to 1000 Barg, offering exceptional durability and performance. Available in 1/32", 1/16", 1/8", and 1/4" outer diameter options, these hoses comply with DEF-STAN 58/96 cleanliness standards to ensure superior reliability.

These hoses are available in various sizes and connection types, making them highly versatile for different applications. They are ideal for high-pressure tank filling, pneumatic power systems, gas distribution systems, and cryogenic applications. High Pressure Flexible Gas Hoses provide robust and flexible solutions for demanding environments.





Minimum / Maximum Working Temperature	-40°C/+63°C
Material	316 SS
Maximum Working Pressure	1500 Bar (22,500 psi)
Inner Diameter	1/32" - 1/4"*
Compatible Connector	For Flow Curve See 240514 Logos Catalog

**For larger pipe diameters, please contact us.*



1. Tapered Connection Type

The connection type consisting of a tapered gland and collar is used to join tubes or pipes. This design includes a tapered gland (a cone-shaped ring with a seal) and a collar element. The tapered gland is used to provide sealing, while the collar compresses this element to create a secure connection. This design offers reliable sealing and a robust connection, particularly in high-pressure applications. Easy assembly, durability, and a wide range of applications are among the advantages of this connection type.



2. Double Ferrule Connection

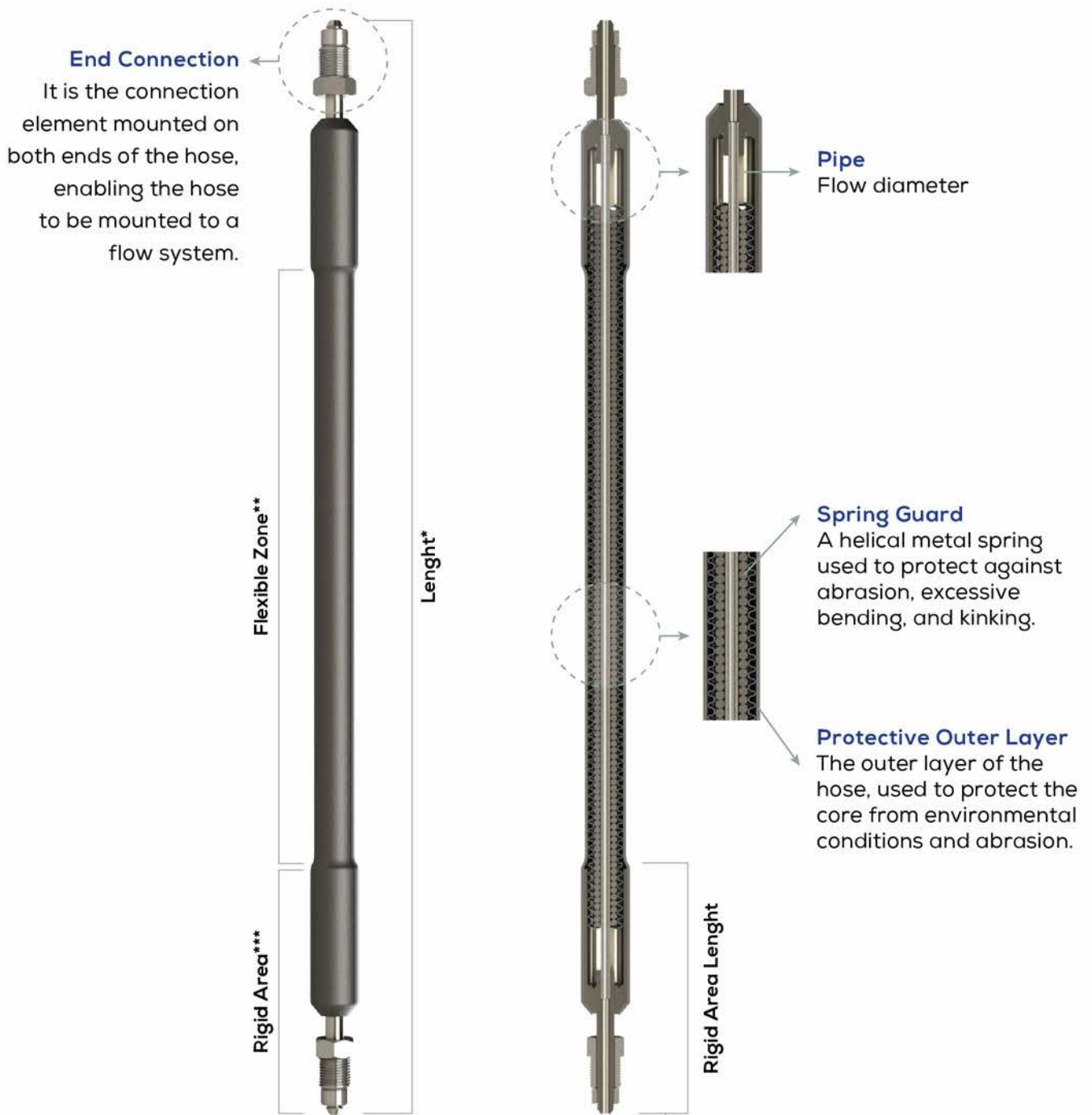
The double ferrule connection type is an ideal option for pipe or tube connections. It ensures reliable sealing and allows for reassembly thanks to its two compression rings. It can effectively be used in applications up to 4/4 bar pressure, supports repeatable assembly, and is compatible with a wide range of applications. This design facilitates ease of maintenance or modifications when needed.



3. Single Ferrule Connection

The single ferrule connection type features a design used in pipe or tube connections. It includes a single compression ring (ferrule), providing easy assembly. It offers sealing and reliable connection features. The single ferrule design stands out with its simplicity and quick assembly advantages. Typically used in high-pressure pneumatic systems, this connection type facilitates ease of maintenance.





***Lenght**
End-to-end lenght of a Hose or Pipe Assembly.

****Flexible Zone**
H.P.F.S.H. flexible region

*****Rigid Area**
H.P.F.S.H. rigid zone remaining at both ends

Tube Size O.D. x I.D in. (mm)	Rigid Area Lenght
1/8"	85 mm
1/8"	85 mm

Leakage Test

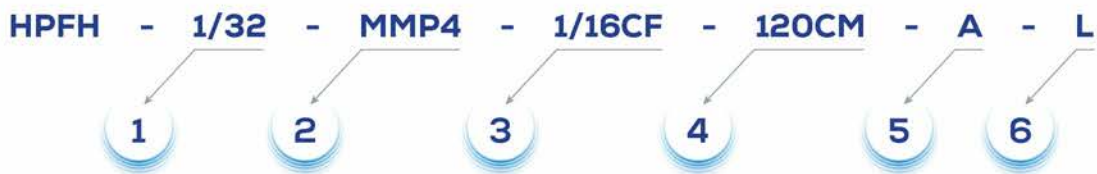
The Logos hose assembly has undergone a leakage test with nitrogen gas, with a maximum leakage rate of 1×10^{-5} std cm^{3/s}.

Cleaning

It maintains the purity of the fluid passing through it in accordance with DEF-STAN 58/96 (Table 2).

Order Information**Special High Pressure Flexible Stainless Hoses Assemblies**

You can create the High Pressure Flexible Stainless Hoses assembly order number by combining the designs in the order shown below.

Order Numbers**1- Pipe Diameter****Code Dimensions**

1/32 = 1/32 x .020 (0.79 x 0.50)

1/16 = 1/16 x .030 (1.58 x 0.76)

1/8 = 1/8 x .067 (3.175 x 1.7)

1/4 = 1/4 x .109 (6.35 z 2.77)

2- End Connection 1

Please refer to see the **Order Number** column in the tables on the following pages.

3- End Connection 2

Please refer to see the **Order Number** column in the tables on the following pages.

4- Total Length

It should be specified in centimeters. When determining the length, the length of the fixed region should be taken into account.

5- Protective Outer Layer

A = Metal Cover

B = Metal + Rubber Cover

6- Lanyard Selection

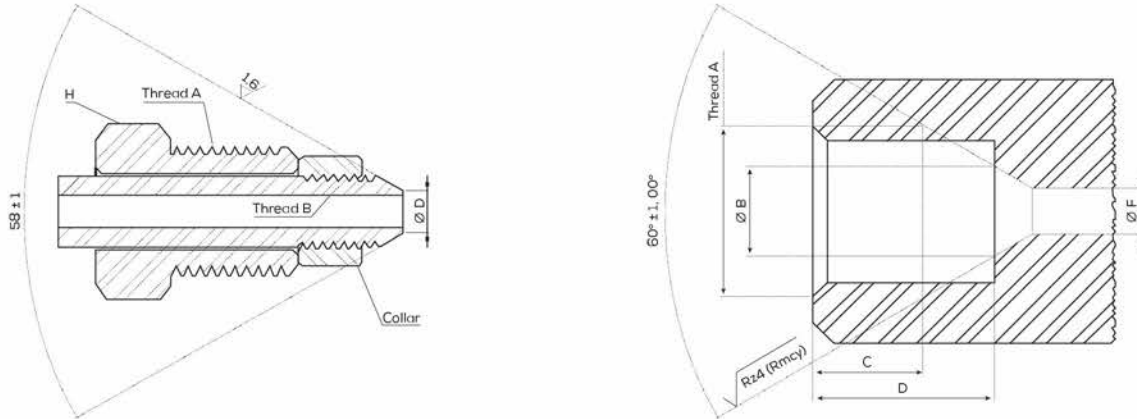
NL = No Lanyard

TS = 2 Side Lanyard

EC1 = Only End Connection 1 Lanyard

EC2 = Only End Connection 2 Lanyard

End Connection Selection

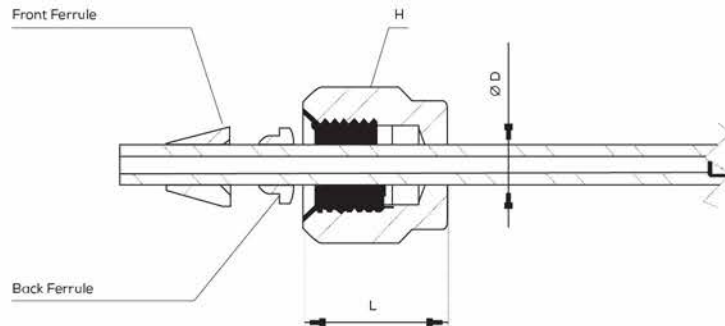


Tubing Size O.D. x I.D in. (mm)	Working Pressure (psi) @ 23°C	Dimensions (metrik)				Dimensions (inch)						Order Number
		D in. (mm)	H (Hex)	Thread A*	Thread B (Left Hand Thread)*	Thread A*	B	C	D	E	Tubing Engagement Allowance	
1/32 .020 (0.79 x 0.50)	1,067 (15,480)	0.141 (3.6)	13 mm	7/16 - 20	1/4 - 28	7/16 - 20	0.19 (4.7)	0.28 (7)	0.51 (13)	0.125 (3.2)	0.55 (14)	MMP4
		0.250 (6.4)	16 mm	9/16 - 18	3/8 - 24	9/16 - 18	0.31 (7.7)	0.38 (9.6)	0.62 (15.7)	0.203 (5.1)	0.69 (17.5)	MMP6
1/16 .030 (1.58 x 0.76)	1,067 (15,480)	0.141 (3.6)	13 mm	7/16 - 20	1/4 - 28	7/16 - 20	0.19 (4.7)	0.28 (7)	0.51 (13)	0.125 (3.2)	0.55 (14)	MMP4
		0.250 (6.4)	16 mm	9/16 - 18	3/8 - 24	9/16 - 18	0.31 (7.7)	0.38 (9.6)	0.62 (15.7)	0.203 (5.1)	0.69 (17.5)	MMP6
1/8 .067 (3.175 x 1.7)	1,067 (15,480)	0.141 (3.6)	13 mm	7/16 - 20	1/4 - 28	7/16 - 20	0.19 (4.7)	0.28 (7)	0.51 (13)	0.125 (3.2)	0.55 (14)	MMP4
		0.250 (6.4)	16 mm	9/16 - 18	3/8 - 24	9/16 - 18	0.31 (7.7)	0.38 (9.6)	0.62 (15.7)	0.203 (5.1)	0.69 (17.5)	MMP6
1/4 .109 (6.35 x 2.77)	1,550 (22,500)	0.141 (3.6)	13 mm	7/16 - 20	1/4 - 28	7/16 - 20	0.19 (4.7)	0.28 (7)	0.51 (13)	0.125 (3.2)	0.55 (14)	MMP4
		0.250 (6.4)	16 mm	9/16 - 18	3/8 - 24	9/16 - 18	0.31 (7.7)	0.38 (9.6)	0.62 (15.7)	0.203 (5.1)	0.69 (17.5)	MMP6

* Unified National Fine thread, Class 2.



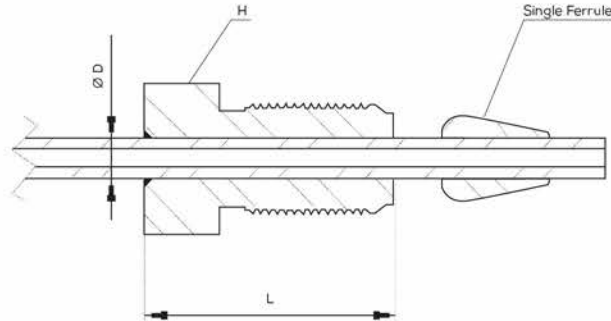
End Connection Selection



Tubing Size O.D. x I.D in. (mm)	Working Pressure Bar (psi) @ 23°C	Dimensions			Order Number
		D in. (mm)	H (Hex)	L in. (mm)	
1/32 x .020 (0.79 x 0.50)	310 (4,500)	1/16"	5/16"	0.31 (7.874)	1/16CF
		1/8"	7/16"	0.47 (11.938)	1/8CF
		1/4"	9/16"	0.50 (12.7)	1/4CF
		6 mm	9/16"	0.50 (12.7)	6MCF
1/16 x .030 (1.58 x 0.76)	310 (4,500)	1/16"	5/16"	0.31 (7.874)	1/16CF
		1/8"	7/16"	0.47 (11.938)	1/8CF
		1/4"	9/16"	0.50 (12.7)	1/4CF
1/8 x .067 (3.175 x 1.7)	310 (4,500)	1/16"	5/16"	0.31 (7.874)	1/16CF
		1/8"	7/16"	0.47 (11.938)	1/8CF
		1/4"	9/16"	0.50 (12.7)	1/4CF
1/4 x .109 (6.35 x 2.77)	310 (4,500)	1/16"	5/16"	0.31 (7.874)	1/16CF
		1/8"	7/16"	0.47 (11.938)	1/8CF
		1/4"	9/16"	0.50 (12.7)	1/4CF



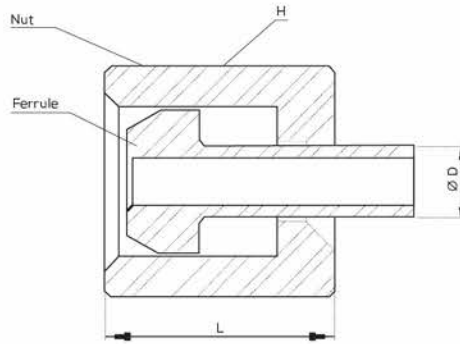
End Connection Selection



Tubing Size O.D. x I.D in. (mm)	Working Pressure Bar (psi) @ 23°C	Dimensions			Order Number
		D in. (mm)	H (Hex)	L in. (mm)	
1/32 x .020 (0.79 x 0.50)	15,480 (1,067)	1/32"	3/16"	0.29 (7,60)	1/32SF
		1/16"	1/4"	0.42 (10,90)	1/16SF
1/16 x .030 (1.58 x 0.76)	15,480 (1,067)	1/32"	3/16"	0.29 (7,60)	1/32SF
		1/16"	1/4"	0.42 (10,90)	1/16SF
1/8 x .067 (3.175 x 1.7)	15,480 (1,067)	1/32"	3/16"	0.29 (7,60)	1/32SF
		1/16"	1/4"	0.42 (10,90)	1/16SF
1/4 x .109 (6.35 x 2.77)	22,500 (1,550)	1/32"	3/16"	0.29 (7,60)	1/32SF
		1/16"	1/4"	0.42 (10,90)	1/16SF



End Connection Selection



Tubing Size O.D. x I.D in. (mm)	Working Pressure Bar (psi) @ 23°C	Dimensions			Order Number
		D in. (mm)	H (Hex)	L in. (mm)	
1/32 x .020 (0.79 x 0.50)	15,480 (1,067)	2.5 mm	8 mm	0.35 (9)	M6N
1/16 x .030 (1.58 x 0.76)	15,480 (1,067)	2.5 mm	8 mm	0.35 (9)	M6N
1/8 x .067 (3.175 x 1.7)	15,480 (1,067)	2.5 mm	8 mm	0.35 (9)	M6N
1/4 x .109 (6.35 x 2.77)	22,500 (1,550)	2.5 mm	8 mm	0.35 (9)	M6N





LOGOS



Address

Logos Kimya Teknolojileri Sanayi ve Ticaret Ltd. Őti.
OstimOSB Mah. 1151. Sk No: 66 Gl 86 Sitesi
Yenimahalle Ankara Trkiye

Contact

Phone: +90(312) 385 20 82
Email: info@logoskimya.com