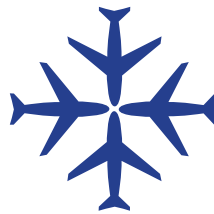
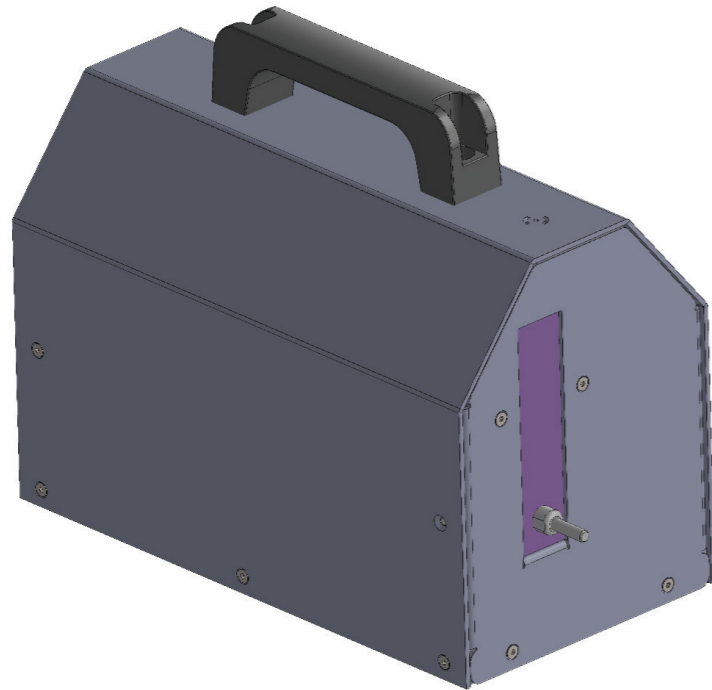


GAS PURITY TEST SYSTEMS



LOGOS
KİMYA TEKNOLOJİLERİ

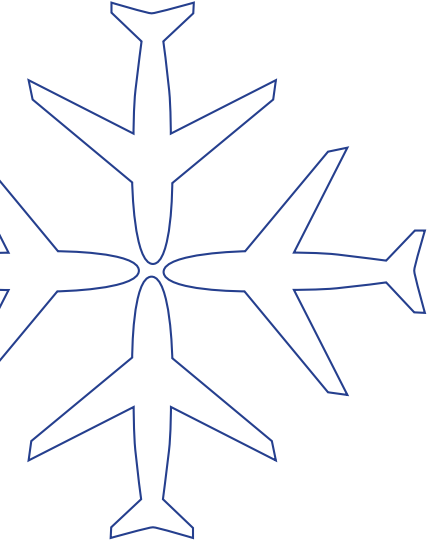
| Gas Purity Test Systems



SPECIFICATIONS

- Purity test according to DEF-STAN 58/96-4
- Gas flow control with cryogenic cooler
- Operation pressure up to 1000 bar
- Proof pressure up to 1500 bar
- Suitable for field conditions
- Design opportunities for different flow and pressures
- Suitable for different types of gas inlet fittings
- Automation and report options
- Suitable for ESD protect usage





Contact us



Address

Logos Kimya Teknolojileri Sanayi ve Ticaret Ltd. Şti.
OSTİM Mah. 1151. Sk 1/64 Gül 86 Sitesi Yenimahalle ANKARA

Contact

Phone: +0(312) 385 20 82
Email: info@logoskimya.com
Web: logoskimya.com

